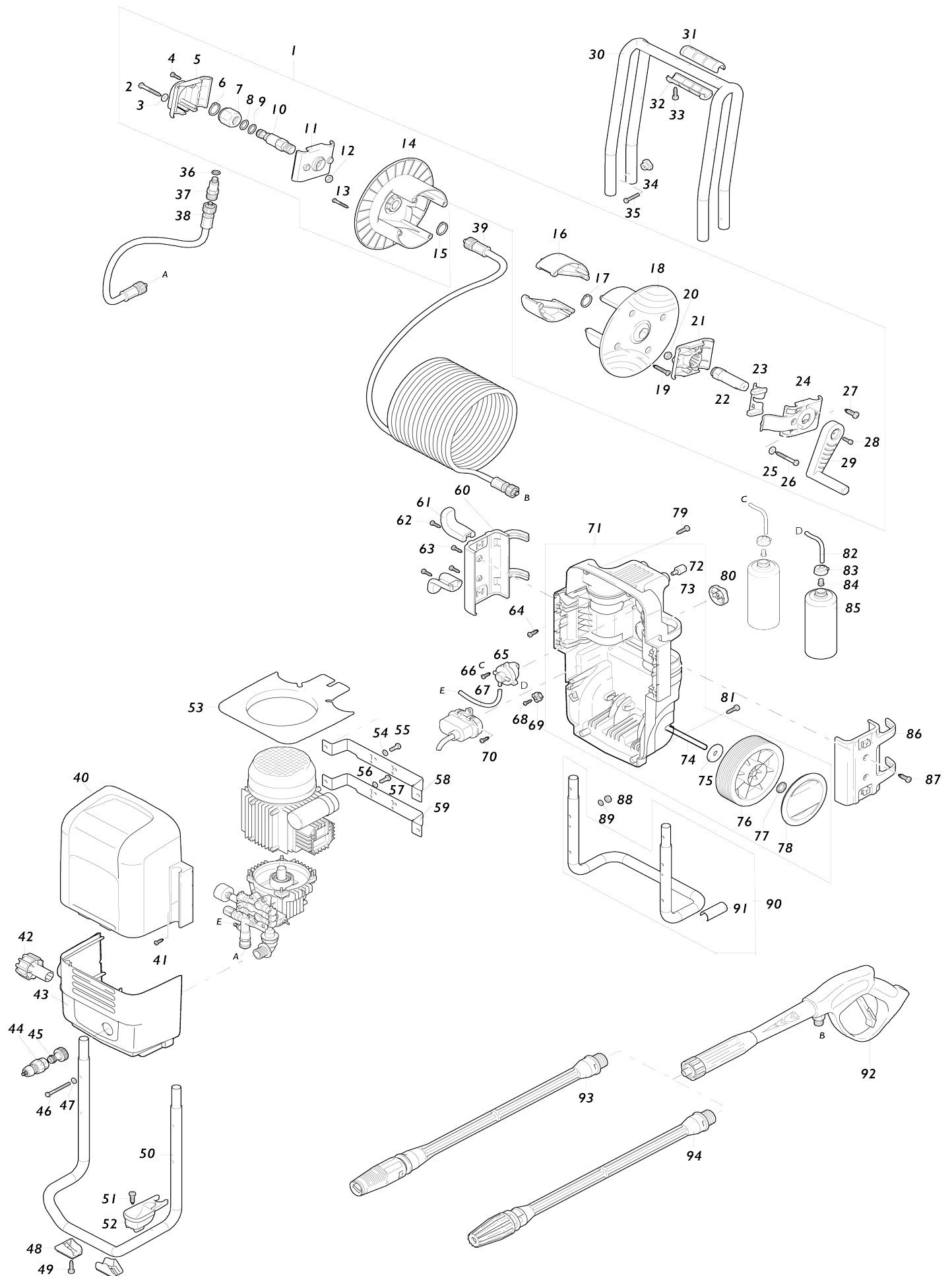
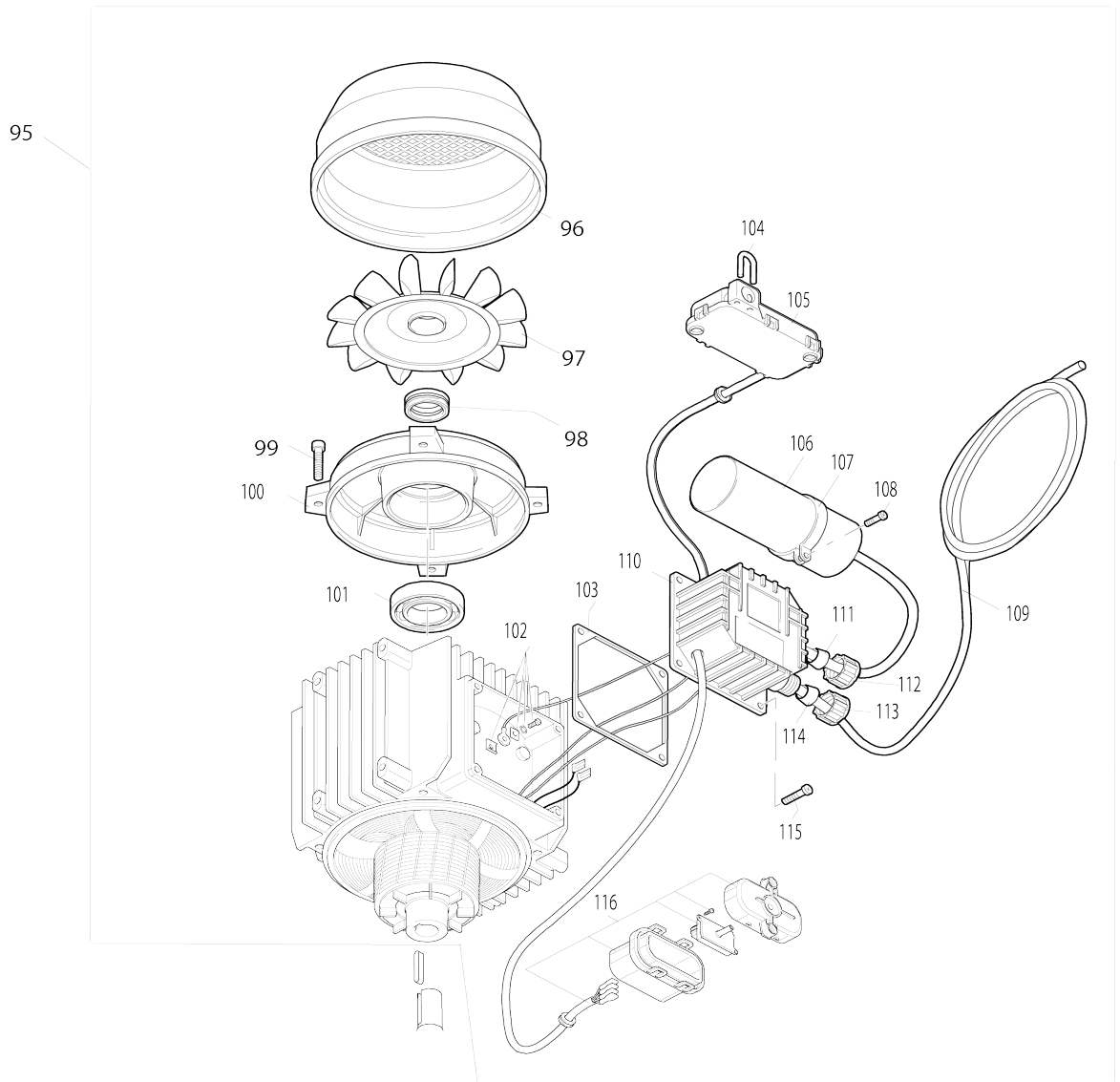


# Model No.HW151 HIGH PRESSURE WASHER

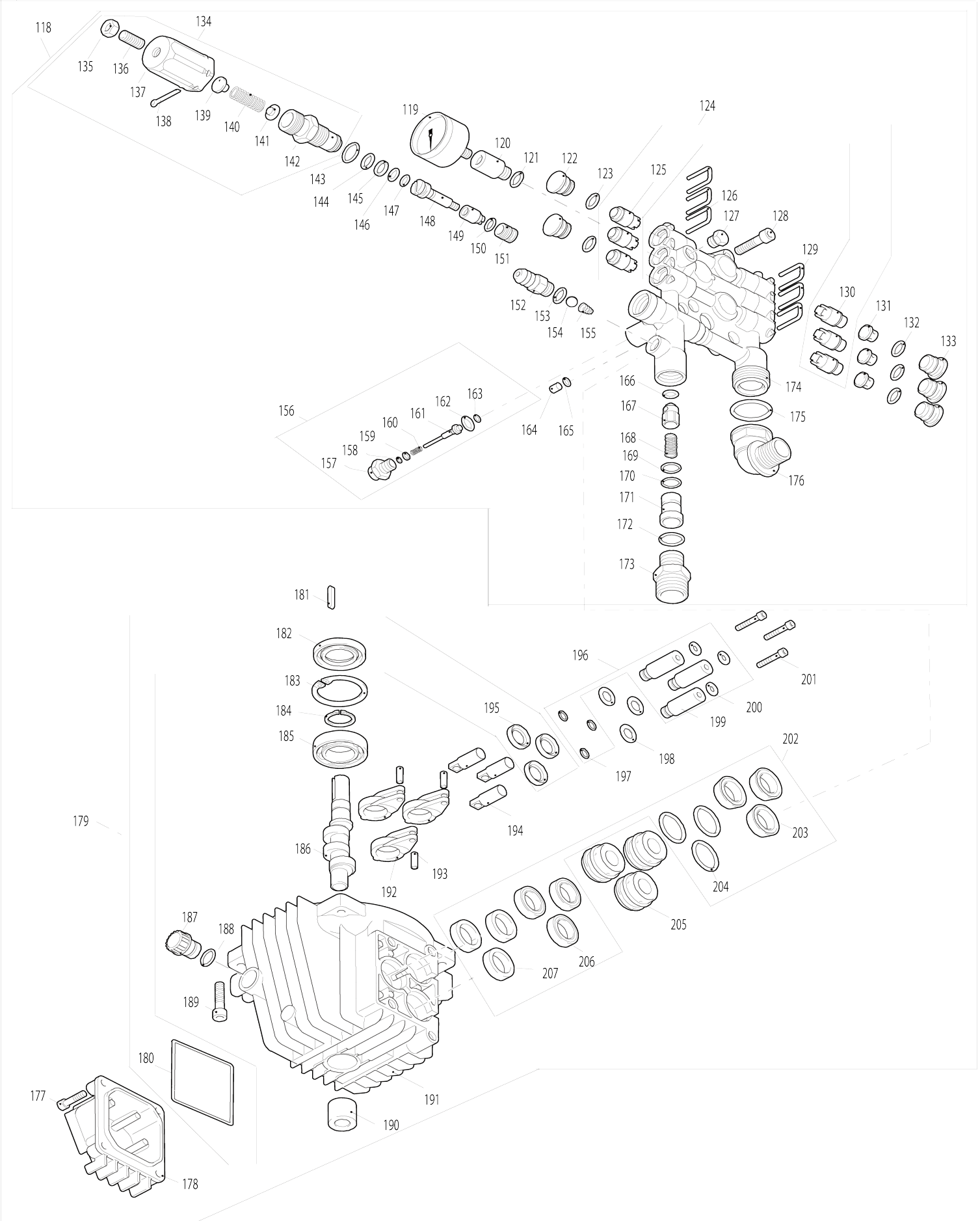


# Model No.HW151 HIGH PRESSURE WASHER



# Model No.HW151 HIGH PRESSURE WASHER

117



Model No.HW151 HIGH PRESSURE WASHER

Item No.	Parts No.	Description
001	609042581	HOSE REEL ASSEMBLY
001		INC. 2-29
002	609580330	PAN HEAD SCREW M5X40
003	609470390	FLAT WASHER 5
004	609100300	SCREW 5X16
005	609580150	HOSE REEL BRACKET L OUTSIDE
006	609480890	RETAINING RING ØE 17
007	609600220	REEL AXLE LEFT OUTSIDE
008	609390080	O-RING Ø 11,91X2,62
009	609390080	O-RING Ø 11,91X2,62
010	609580340	REEL AXLE LEFT INSIDE
011	609580160	HOSE REEL BRACKET INSIDE
012	609680750	NYLON INSERT HEX.LOCK NUT M 5
013	609021780	TAPPING SCREW 4X32
014	609360230	HOSE REEL DRUM HARF
015	609380420	RETAINING RING Ø 22
016	609580120	HOSE REEL EXTENSION SPACER
017	609380420	RETAINING RING Ø 22
018	609360230	HOSE REEL DRUM HARF
019	609021780	TAPPING SCREW 4X32
020	609680750	NYLON INSERT HEX.LOCK NUT M 5
021	609580160	HOSE REEL BRACKET INSIDE
022	609580350	REEL AXLE LEFT
023	609580130	HOSE REEL LOCK
024	609580140	HOSE REEL BRACKET R OUTSIDE
025	609470390	FLAT WASHER 5
026	609580330	PAN HEAD SCREW M5X40
027	609100300	SCREW 5X16
028	609360360	HEX SOCKET BOLT M5X10
029	609360150	CRANK LEVER
030	609580080	PIPE FRAME UPPER
031	609580180	GRIP COVER UPPER
032	609580090	GRIP COVER LOWER
033	609100300	SCREW 5X16
034	609050019	KNOB NUT M6
035	609050037	HEX BOLT M6X40
036	609820510	O-RING Ø 10,82X1,78
037	609600260	FITTING
038	609580310	HIGH PRESSURE HOSE 0.75M AS SY
C10	609000570	O-RING 10X2
039	609083550	HIGH PRESSURE HOSE 10M ASSY
C10	609000570	O-RING 10X2
040	609580020	FRONT HOUSING UPPER MAKITA
041	609100300	SCREW 5X16
042	609360760	PRESSURE ADJUST KNOB

043	609580230	FRONT HOUSING LOWER BLUE
044	609040086	QUICK COUPLING NIPPLE G3/4
045	609082130	HOSE QUICK COUPLING
046	609320570	HEX BOLT M5X100
047	609680960	FLAT WASHER 5
048	609580270	FOOT
049	609060200	TAPPING SCREW 4.5X16
050	609580070	PIPE FRAME LOWER FRONT
051	609060200	TAPPING SCREW 4.5X16
052	609580250	ACCESSORIES CAP
053	609580040	PARTITIONplate
054	609550331	FLAT WASHER 6
055	609320350	HEX BOLT M6X12
056	609550331	FLAT WASHER 6
057	609320350	HEX BOLT M6X12
058	609580260	SUB FRAME FOR MOTOR
059	609580260	SUB FRAME FOR MOTOR
060	609580050	ACCESSORIES CARRIER LEFT
061	609360090	CORD FOOK
062	609100300	SCREW 5X16
063	609100300	SCREW 5X16
064	609060200	TAPPING SCREW 4.5X16
065	609440190	DETERGENT VALVE
066	609000110	TAPPING SCREW 3.5X15
067	609580290	SILICONE TUBE 6MM L=0.45M
068	609100300	SCREW 5X16
069	609600100	CABLE GLAND
070	609100300	SCREW 5X16
071	609589000	REAR HOUSING ASSY
071		INC. 72-78
072	609180330	RUBBER FOOT
073	609580010	REAR HOUSING
074	609180080	WHEEL AXLE
075	609680890	WASHER 12.5X48X2.5 Z/B
076	609580280	WHEEL 8 INCH
077	609680880	WASHER
078	609580170	WHEEL COVER MAKITA
079	609100300	SCREW 5X16
080	609900220	DETERGENT VALVE KNOB
081	609100300	SCREW 5X16
082	609580300	SILICONE TUBE 6MM L=0.55M
083	609580190	DETERGENT TANK CAP
084	609000230	FILTER
085	609180130	DETERGENT TANK
086	609580050	ACCESSORIES CARRIER LEFT
087	609100300	SCREW 5X16
088	609480640	NYLON INSERT HEX.LOCK NUT M 5
089	609480650	FLAT WASHER 5
090	609580060	PIPE FRAME LOWER REAR ASSY
090		INC. 91
091	609580370	PIPE FRAME PROTECTOR

092	609041154	TRIGGER GUN SET AR
093	609040551	SPRAY LANCE WIDE/NALLOW AR
094	609040167	CYCLON JET NOZZLE SET AR
095	609044476	MOTOR ASSY 230V 50HZ EURO P LUG
095		INC. 96-116
096	609342040	FAN COVER
097	609260300	COOLING FAN
098	609340350	OIL SEAL
099	609260760	HEX BOLT M5X20
100	609340320	MOTOR HOUSING UPPER
101	609340340	BALL BEARING
102	609269100	EARTH TARMINAL CLAMPING SE T
103	609340780	GASKET
104	609022200	U-PIN
105	609029752	PRESSURE SWITCH
106	609263520	CAPACITOR 40 MICRO F
107	609982550	CAPACITOR CLAMP BAND
108	609261560	TAPPING SCREW 3,9X16
109	609760450	POWER SUPPLY CORD EURO PLU G
110	609341832	JUNCTION BOX
111	609340660	RUBBER FOOT
112	609340640	RING NUT
113	609340640	RING NUT
114	609340650	RUBBER FOOT
115	609261560	TAPPING SCREW 3,9X16
116	609909209	SWITCH BOX SET
117	609349285	PUMP ASSY
117		INC. 118,177-179,181,183-194, 196,198,201,202,205
118	609349204	PUMP HEAD ASSY
118		INC. 119-124,126-129,131-134, 143-156,164-176
119	609040476	PRESSURE GAUGE
120	609344940	FITTING R1/8
121	609465720	O-RING
122	609344800	VALVE CAP PLUG
123	609465720	O-RING
124	609042566	VALVE REPAIR SET
124		INC. 125,130
125	609349055	VALVE CPL.
126	609344790	U-PIN
127	609620301	PLUG 1/8" G
128	609850850	SCREW M6X30
129	609344790	U-PIN
130	609349055	VALVE CPL.
131	609344770	SPACER
132	609465720	O-RING
133	609344800	VALVE CAP PLUG
134	609042579	REGULATOR HANDLE SET

134		INC. 135-142
135	609060120	NUT M6
136	609980740	BLIND PLUG
137	609344881	REGULATOR HANDLE NUT
138	609500550	SPLIT PIN 2.6X15 Z/B
139	609980220	SPRING SEAT UPPER
140	609460190	SPRING
141	609343450	WOBBLE PLATE
142	609344870	PISTON GUIDE
143	609740290	O-RING Ø 14X1,78
144	609820510	O-RING Ø 10,82X1,78
145	609080401	RING
146	609600180	O-RING 7.66X1.78
147	609080190	O-RING Ø 2,90X1,78
148	609021900	PISTON
149	609460151	REGULATOR PISTON LOWER
150	609600180	O-RING 7.66X1.78
151	609342701	REGULATOR PISTON SEAT
152	609982520	HOSE NIPPLE R1/8
153	609480480	O-RING Ø 4,48X1,78
154	609250280	BALL
155	609560520	SPRING
156	609042580	PLUNGER SET FOR PRESSURE SW ITC
156		INC. 157-163
157	609344830	PLUNGER CAP
158	609260820	O-RING
159	609021650	WASHER
160	609021630	SPRING
161	609022040	PLUNGER FOR PRESSURE SWITC H
162	609600180	O-RING 7.66X1.78
163	609120680	O-RING
164	609344890	PLUG
165	609560870	O-RING
166	609460430	O-RING Ø 4X2,5
167	609901070	CHECK VALVE PISTON
168	609080091	CHECK VALVE PISTON SPRING
169	609800560	O-RING Ø 8,73X1,78
170	609901060	CHECK VALVE BODY
171	609740290	O-RING Ø 14X1,78
172	609900120	NIPPLE FOR DETERGENT
173	609344850	PUMP HEAD BODY
174	609344970	O-RING
175	609500280	EXTENSION
176	609260780	HEX SOCKET BOLT M5X25
177	609344060	COVER
178	609001876	OIL SEAL REPAIR SET
178		INC. 180,182,195
180	609040710	O-RING Ø 56X2
181	609880111	KEY
182	609341080	OIL SEAL

183	609111120	RETAINING RING ØI 47
184	609480890	RETAINING RING ØE 17
185	609341070	BEARING
186	609340170	SHAFT
187	609343900	PLUG
189	609880840	O-RING Ø 9,25X1,78
190	609260050	BUSHING
C10	609344050	PUMP BODY
192	609340060	CONNECTING-ROD
193	609340080	PIN
194	609340070	PIN
195	609260460	OIL SEAL
196	609002623	PISTON repair KIT
196		INC. 197,199,200
197	609600180	O-RING 7.66X1.78
198	609341010	PLATE
199	609342740	PISTON Ø 15
200	609341020	WASHER 6X10X1
201	609850670	SCREW TCEI M6X35
202	609042567	WATER SEAL KIT
202		INC. 203,204,206,207
203	609460180	WATER SEAL
204	609770260	O-RING Ø 23,52X1,78
205	609344750	PISTON GUIDE
206	609260440	WATER SEAL C1
207	609344760	OIL SEAL